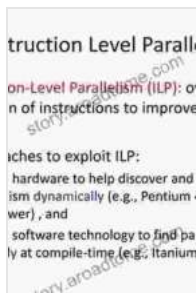


# Instruction Level Parallelism: The Key to High-Performance Computing

In the realm of computing, where speed and efficiency reign supreme, parallel computing has emerged as a game-changer. By harnessing the power of multiple processing units working in unison, parallel computing promises to unlock unprecedented performance gains. However, the challenge lies in effectively exploiting this parallelism at the instruction level - the fundamental building blocks of computer programs.



## Instruction Level Parallelism by Robert Dunne

★★★★★ 5 out of 5

Language : English  
File size : 5732 KB  
Text-to-Speech : Enabled  
Screen Reader : Supported  
Enhanced typesetting : Enabled  
Print length : 413 pages

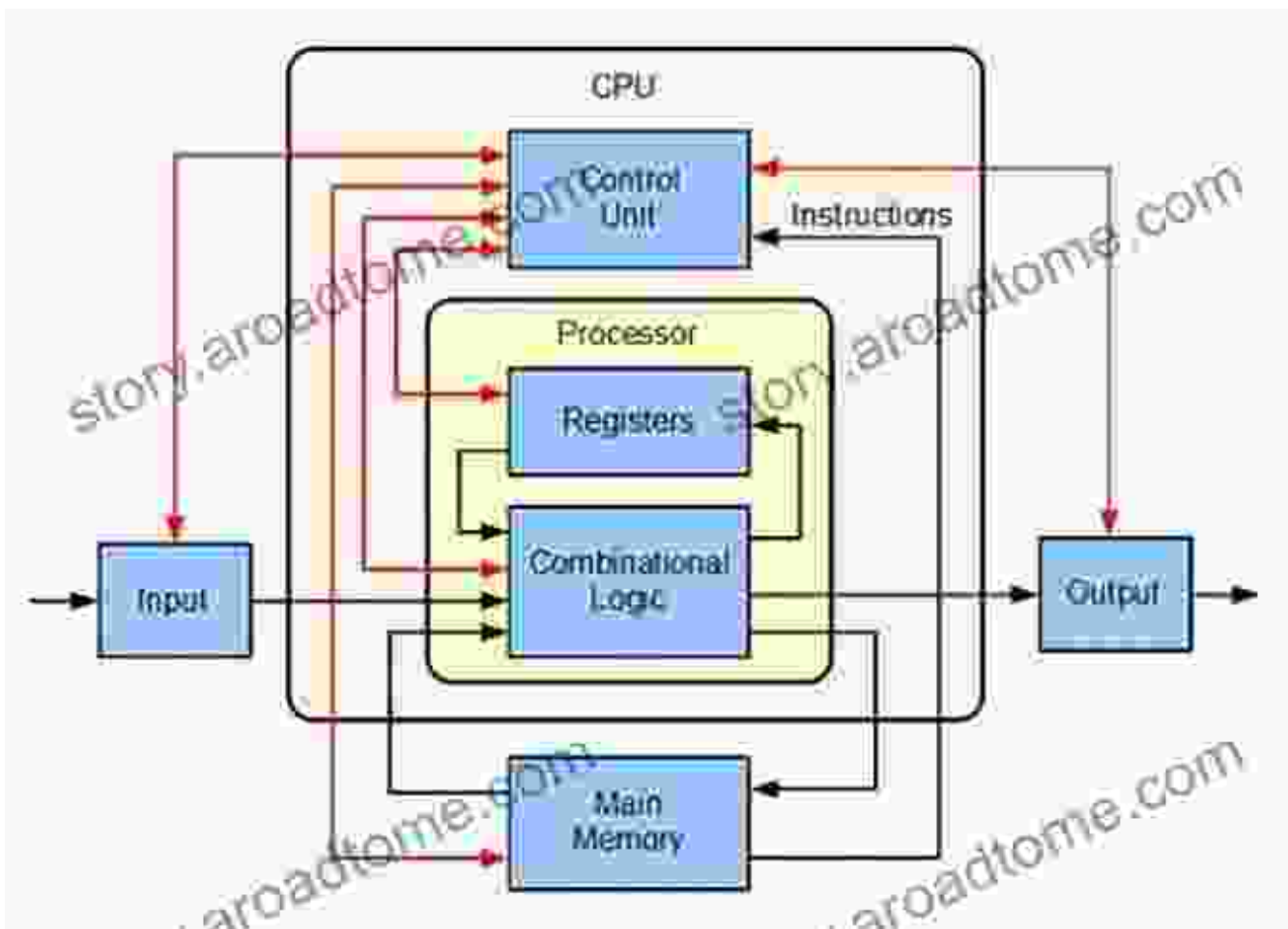


## Enter Instruction Level Parallelism

In his groundbreaking book, "Instruction Level Parallelism," renowned computer scientist Robert Dunne unveils a revolutionary approach to parallel computing. Dunne delves into the intricate details of how modern processors execute instructions, uncovering hidden opportunities for parallelism that have long remained elusive.

## Unveiling the Secrets of Processor Architecture

Dunne's meticulous analysis of processor architectures lays bare the inner workings of these complex machines. Readers gain a deep understanding of pipelining, caching, and branch prediction techniques, equipping them with the knowledge to identify and exploit parallelism at the instruction level.



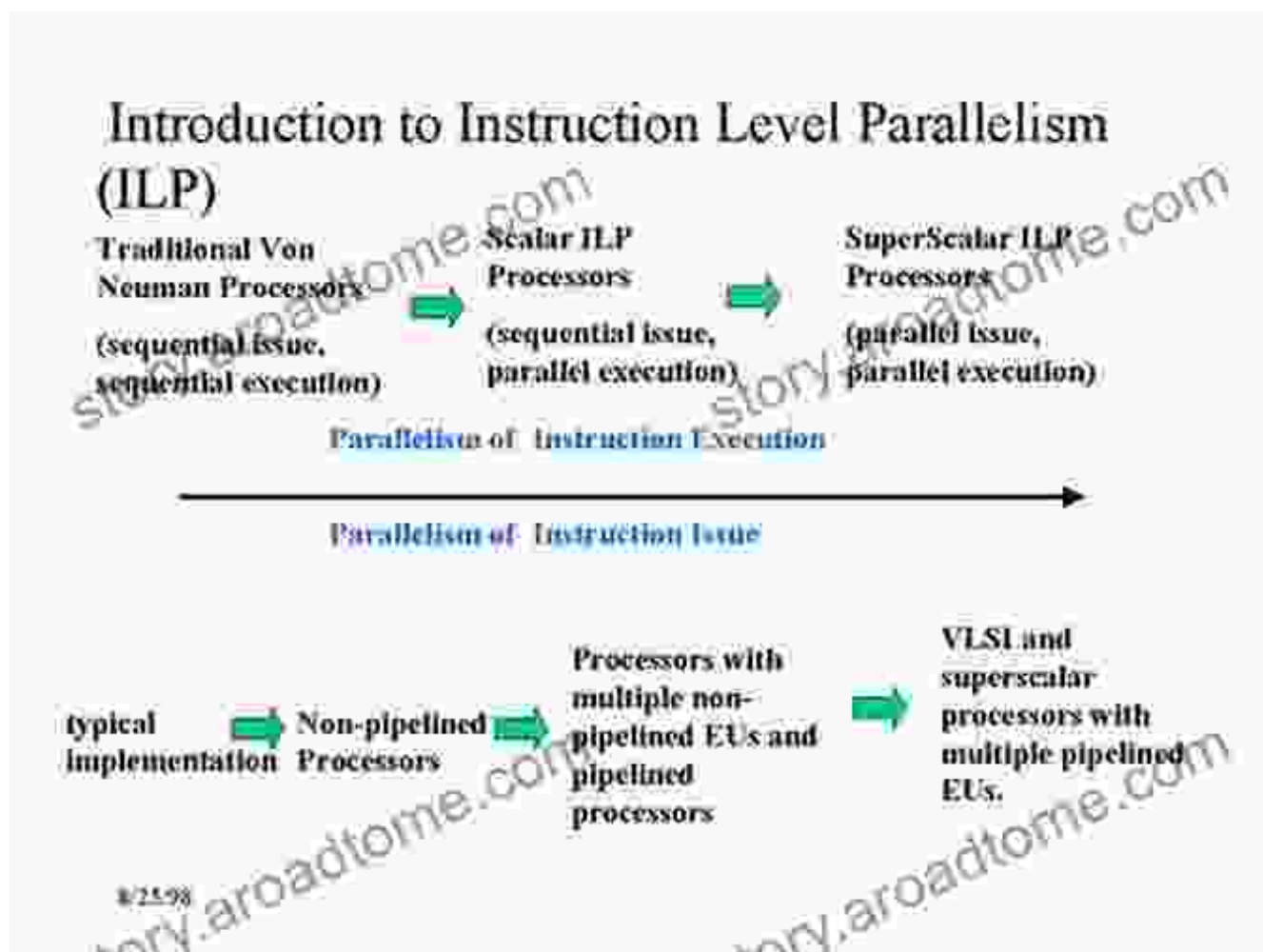
## Optimizing Compiler and Hardware Design

Beyond understanding processor architecture, "Instruction Level Parallelism" provides invaluable insights into compiler optimization and hardware design. Dunne demonstrates how to modify compilers to generate code that maximizes parallelism while minimizing overhead. He

also explores novel hardware architectures specifically tailored to support instruction-level parallelism.

## Real-World Applications and Case Studies

To solidify the concepts presented, the book showcases real-world applications and case studies that vividly illustrate the benefits of instruction level parallelism. Readers witness firsthand how this technique has transformed industries ranging from scientific computing to artificial intelligence.



Graphs and charts demonstrating the significant performance improvements obtained by leveraging instruction level parallelism in different application domains.

## **The Ultimate Guide for Parallel Computing Professionals**

"Instruction Level Parallelism" is an indispensable resource for professionals seeking to master the art of parallel computing. Whether you're a software engineer, compiler developer, or hardware architect, this book empowers you with the knowledge and techniques to unleash the full potential of your systems.

### **Expert Insights and Cutting-Edge Research**

Drawing upon decades of experience and cutting-edge research, Dunne presents a comprehensive overview of the field. The book is meticulously organized, leading readers from foundational concepts to advanced optimization strategies.

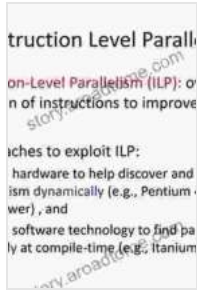
### **Clear and Engaging Presentation**

Despite its technical subject matter, "Instruction Level Parallelism" is written in a clear and engaging style. Dunne's knack for explaining complex topics with clarity and precision makes this book accessible to readers from diverse backgrounds.

### **Unlock the Power of Parallel Computing**

With "Instruction Level Parallelism," Robert Dunne provides a roadmap to the future of high-performance computing. By embracing the principles outlined in this book, you can transform your systems into parallel computing powerhouses, driving innovation and unlocking new possibilities.

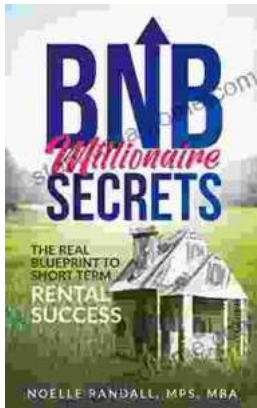
To embark on this transformative journey, Free Download your copy of "Instruction Level Parallelism" today and unlock the secrets of parallel computing's next frontier.



## Instruction Level Parallelism by Robert Dunne

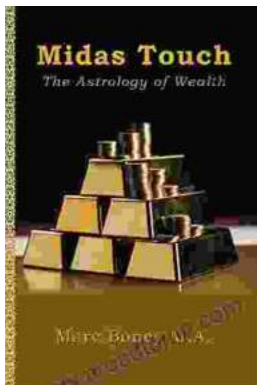
★★★★★ 5 out of 5

Language : English  
File size : 5732 KB  
Text-to-Speech : Enabled  
Screen Reader : Supported  
Enhanced typesetting : Enabled  
Print length : 413 pages



## The Real Blueprint to Short-Term Rental Success

Are you ready to create a thriving short-term rental business? If so, then you need The Real Blueprint to Short-Term Rental Success. This comprehensive...



## Midas Touch: The Astrology Of Wealth

Are you ready to tap into the cosmic forces that govern wealth and prosperity? In the captivating new book, "Midas Touch: The Astrology of Wealth," renowned...